



NLS

PROD.

SOUND LIGHT VIDEO

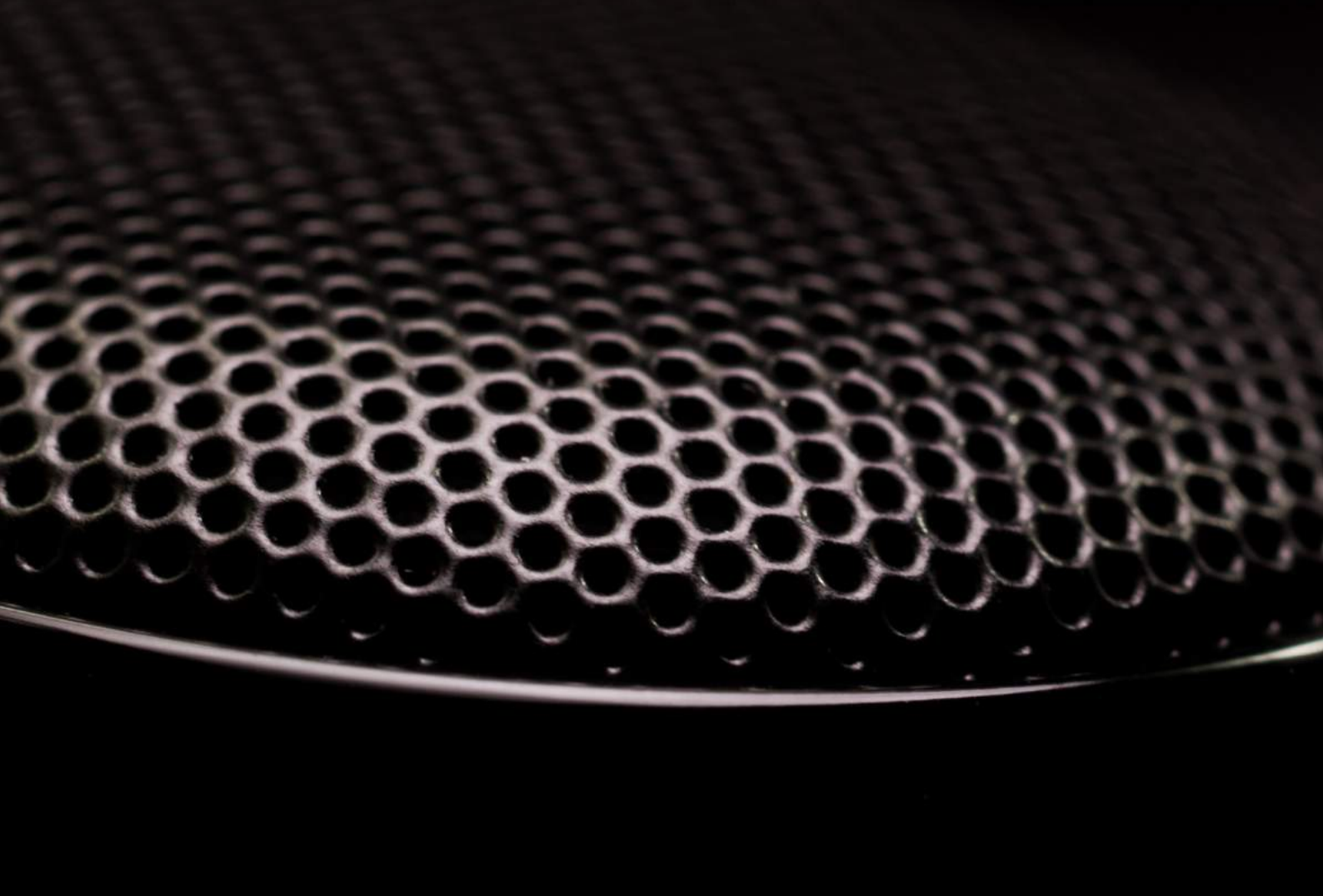
Catalogue
NLS PRODUCTIONS
Sound & Light Solutions

SOMMAIRE

•SOUND	2
•VIDEO	5
•MICRO	7
•LED SCREEN	9
•LIGHT	11
•TRUSS	13
•RIGGING	15
•STAGE	17
•FX	19
•SONORISATION PACK	21
•COEFFICIENT DE LOCATION	22



SOUND



SPEAKERS



QSC K8.2 8 p
XLR / CEI 2000W / RMS
40€



Electro Voice ZLX 12 p
XLR / CEI 700W / RMS
40€



Electro Voice ZLX 15 p
XLR / CEI 1000W / RMS
50€

SUBWOOFERS



DB TECHNOLOGIE SUB-918
XLR / CEII 1300W / RMS
70€

PLAYERS



XDJ 1000 MK2
40€



CDJ 2000
60€



CDJ 2000 NEXUS
80€

DIGITAL CONSOLES



- MIDAS M 32 CONSOLE 32 IN 16 OUT 175€
- MIDAS M32 R CONSOLE 32 IN 16 OUT 135€

STAGEBOX

- MIDAS DL 32 - 32 IN 16 OUT 80€

ANALOG CONSOLES

- JB Systeme Mediamix 35€
- DJM 900 Nexus 60€
- Allen & Heath ZED-14 PA 50€



VIDEO



LG VPL

TELEVISION

- SAMSUNG EU65 4K 215€

- SAMSUNG EU55 4K 190€

- SAMSUNG EU43 4K 130€



VIDEO PROJECTOR

- Panasonic PT-AT6000e 150€
HDMI - VGA - 2400 lumens

- Toile de video projection 50€
300 x 170 cm

PC + ACCESORIES

- Ipad 30€

- Acer Aspire 1 HDMI 60€



The background of the image is a dense grid of small, multi-colored dots (red, green, blue, and white) on a black background, creating a digital or pixelated effect. A white rectangular border is centered horizontally and vertically, containing the text "LED SCREEN".

LED SCREEN

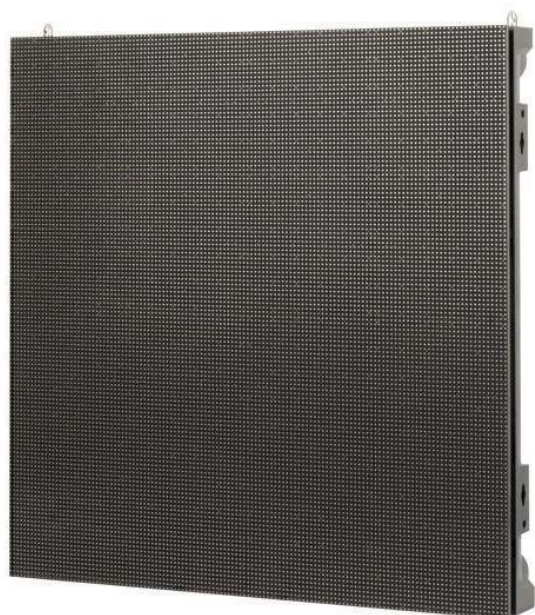
LED SCREEN

•LED DMT P10 120€*
DMT, Outdoor (IP65) P10.
Cab 64L/72H cm (LED SMD)

•LED DMT P5 162€*
DMT, Outdoor (IP65) P5.
Cab 50L/100H cm (LED SMD)

•LED DMT P3 195€*
DMT, Outdoor (IP65) P3.
Cab 50L/50H cm (LED SMD)

*prix au m²





MICRO

WIRED MICROPHONE

•SHURE SM58	5€
•SHURE SM57	5€
•SHURE BETA58	5€
•SHURE BETA52A	12€
•SHURE BETA53 - HEADSET	16€
•SENNHEISER E604	5€
•SENNHEISER E914	10€
•BEYERDYNAMIC MG88	5€
•NEUMANN KM184	14€
•DI BSS AR133	10€

WIRELESS MICROPHONE

•SHURE QLXD4 Receiver for QLXD1/QLXD2 G51	35€
•SHURE QLXD2 Handset BETA58 G51	35€
•SHURE QLXD1 Bodypack G51	35€
•SHURE BLX24 Beta 58 A	35€



LIGHT



MOVING HEAD



Chauvet Intimidator 140SR
Hybrid Spot, Wash, Beam
60€



Chauvet Rogue 2 Wash
19 x 15W RGBW 5 zones + Zoom
60€

LED-BATTERY LED



Briteq Stage Beamer Outdoor
14 x 5W RGBW
20€



Showtec Compact par
7 x 3W RGBW
10€



Showtec CPL MK2
150W RGB
40€



Chauvet Freedom Flex H4 IP
4 x 5W RGBA IP65
25€

FRESNELS-TRAD



LED FLOOD 200W
LED FLOOD 200W WW IP65
17,50€



LED FLOOD 100W
LED FLOOD 100W WW IP65
10€



Britec BT Theatre 100EC MK2
100W LED
25€



Sunstrip Active T10
10 x 75W
10€



Info@NlsProduction.lu
Tél: 00352 621 830 006

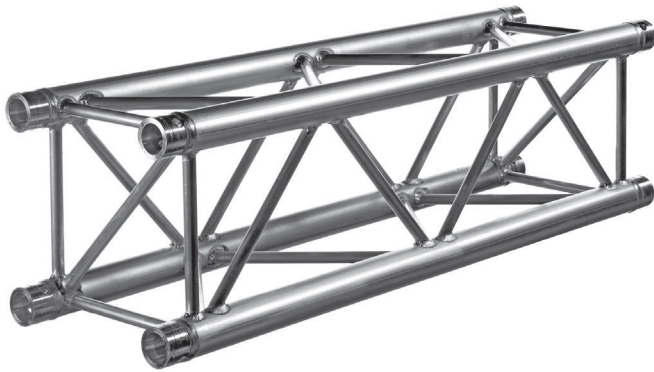
24b, rue principale
8820 Holtz

Tous nos prix
s'entendent HTVA 17%



TRUSS

TRUSSING



SILVER TRUSSING (PROLYTE H30V)

•H30V 0,29m	4€
•H30V 0,5m	4€
•H30V 0,71m	4€
•H30V 1m	4€
•H30V 2m	8€
•H30V 3m	12€
•H30V C003 - Angle 2D L	12€
•H30V C017 - Angle 3D T	12€
•H30V C012 - Angle 3D Corner	15€
•H30V Boxcorner	15€



BLACK TRUSSING (PROLYTE H30V)

•H30V 0,29m	6€
•H30V 0,5m	6€
•H30V 0,71m	6€
•H30V 1m	6€
•H30V 2m	12€
•H30V 3m	18€
•H30V C003A - Angle 2D L	15€
•H30V C017A - Angle 3D T	18€
•H30V C012A - Angle 3D Corner	18€

TRUSSING ACCESSORIES

•MONOTUBE 0,5m Black BRITEQ	3€
•MONOTUBE 1m Black BRITEQ	3€
•MONOTUBE 2m Black BRITEQ	6€
•Box 100 Pin & Clips	12€
•FLAT BASE H30V	3€
•TOP TOTEM H30V Black or Silver	3€

•BASE PLATE 40kg	25€
•BASE EASY DRAPE 14kg	12,50€





RIGGING

LIFTING

- **VMB TE-074 B** 70€
5,35 m - 250 Kg

- **VMB TLA 320 B** 70€
6 m - 320 Kg

- **VMB PSU-074 B** 4€
Truss Adapter BK

- **WINDUP** 18€
4 m - 80 Kg

- **PALAN MANUEL** 30€
6 m - 1000 Kg

- **PALAN MANUEL** 30€
10 m - 500 Kg



RIGGING ACCESSORIES

- **MANILLE 2T ½** 0,70€

- **MANILLE 3T ¼** 0,85€

- **TENTE CLAMP** 5€
150 Kg Silver

- **STEELFLEX** 1,20€
2T - 1,60 m

- **ELINGUE ACIER** 2€
2 m



STAGE

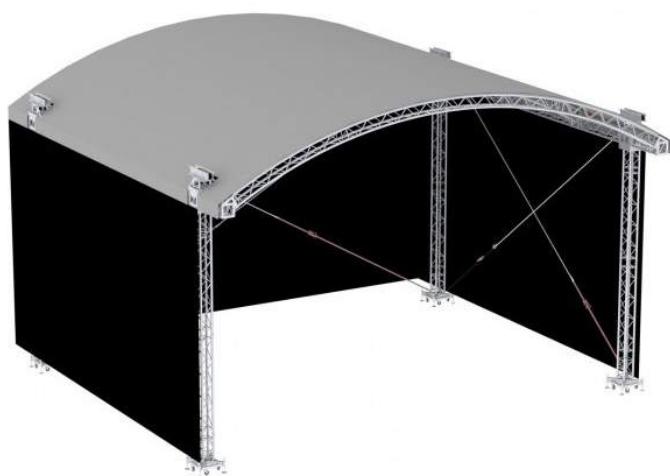


STAGE

•STAGE OUTDOORS 600€
L: 6 m x l: 1,4 m x H: 4 m

•STAGE OUTDOORS 750€
L: 5 m x l: 5,7 m x H: 4 m

•STAGE OUTDOORS 900€
L: 9 m x l: 6 m x H: 5 m



PODIUM

•PROLYTE STAGEDEX 15€
BasicLine 1x1 m

•PROLYTE STAGEDEX 25€
BasicLine 2x1 m

•CLAMPS PROLYTE STAGEDEX

•PIED STAGEDEX
20 cm

•PIED STAGEDEX
40 cm

•PIED STAGEDEX
60 cm

•PIED STAGEDEX
80 cm

•PIED STAGEDEX
90 cm

•PIED STAGEDEX
100 cm

•ESCALIER 30€
20 cm - 40 cm - 60 cm - 80 cm

DESK

•PUPITRE 70€
Hauteur : 120 cm
surface : 58X45 cm





FX

•MAGIC FX Lance Flamme Fixe Propage Gaz	140€
•EXPLO X2 Waver Flamme Directionelle	240€
•MAGIC FX STADIUM SHOT	170€
•MAGIC FX CANON Co2	70€
•MAGIC FX POWER SHOT	25€
•MAGIC FX GUN2	50€
•MAGIC FX CONFETTI GUN	50€



SONORISATION PACK

PACK 1

- **2 ZLX 15**
1000 watts/pce
 - **1 Shure blx 24 - Beta 58 A -**
Micro sans fil
 - **1 JB Systeme Mediamix -**
Lecture usb - téléphone
- 175€ HTVA
Hors montage/démontage
-

PACK 2

- **2 ZLX 15**
1000 watts/pce
 - **1 Shure blx 24 - Beta 58 A -**
Micro sans fil
 - **1 JB Systeme Mediamix -**
Lecture usb - téléphone
 - **2 Showtec CPL MK2**
Rampes de spots
- 250€ HTVA
Hors montage/démontage
-

PACK 3

- **2 ZLX 15**
1000 watts/pce
 - **2 DB TECHNOLOGIE SUB-918**
Subwoofer
 - **1 Shure blx 24 - Beta 58 A -**
Micro sans fil
 - **1 JB Systeme Mediamix -**
Lecture usb - téléphone
 - **2 Showtec CPL MK2**
Rampes de spots
- 390€ HTVA
Hors montage/démontage
-

PACK CONFÉRENCE

- **2 ZLX 15**
1000 watts/pce
 - **1 Panasonic Pt-At6000**
2500 lumens - Vidéo Projecteur
 - **1 Toile de projection**
300 cm x 170 cm
 - **1 Shure blx 24 - Beta 58 A -**
Micro sans fil
 - **1 Allen & Heath ZED-14 PA**
Table de mixage
 - **1 Structure pour suspendre la toile**
- 500€ HTVA
Hors montage/démontage

COEFFICIENT DE DUREE DE LOCATION

•1 jours	x1
•2 jours	x1.25
•3 à 6 jours	x1.5
•2 semaines 7 - 14 jours	x2
•3 semaines 15 - 21 jours	x2.5
•4 semaines 22 - 28 jours	x3
•5 semaines 29 - 35 jours	x3.5
•6 semaines 36 - 42 jours	x4
•7 semaines 43 - 49 jours	x4.5
•8 semaines 50 - 56 jours	x5
•9 semaines 57 - 63 jours	x5.5
•10 semaines 64 - 70 jours	x6
•11 semaines 71 - 77 jours	x6.5
•12 semaines 78 - 84 jours	x7

Info@NlsProduction.com

Tél: 00352 621 830 006

**24b, rue principale
8820 Holtz**

Tous nos prix s'entendent hors TVA 17 %



NLS
PROD.
SOUND LIGHT VIDEO